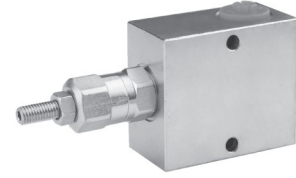


#### Features

- Relief valve for limiting the maximum pressure in a hydraulic system.
- Direct operated poppet design
- Compact, durable and reliable
- Steel body with clear zinc plating



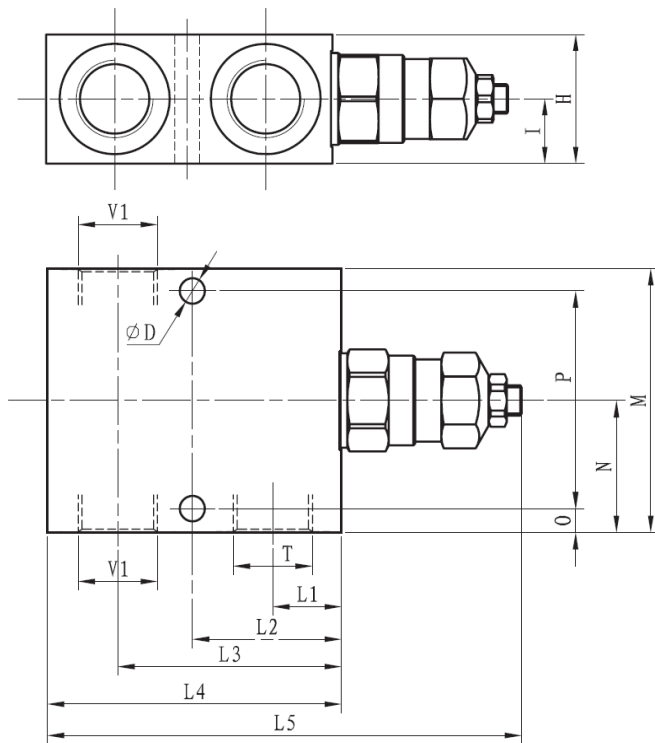
#### Ordering Details

V	Valve	Nominal NPTF Thread Size	Code
I	Inline connection		
R-	Relief		
N.5-	Port Size		
1	Series:		
		1/4"	N.25
		3/8"	N.37
		1/2"	N.5
		3/4"	N.75
		1"	N1

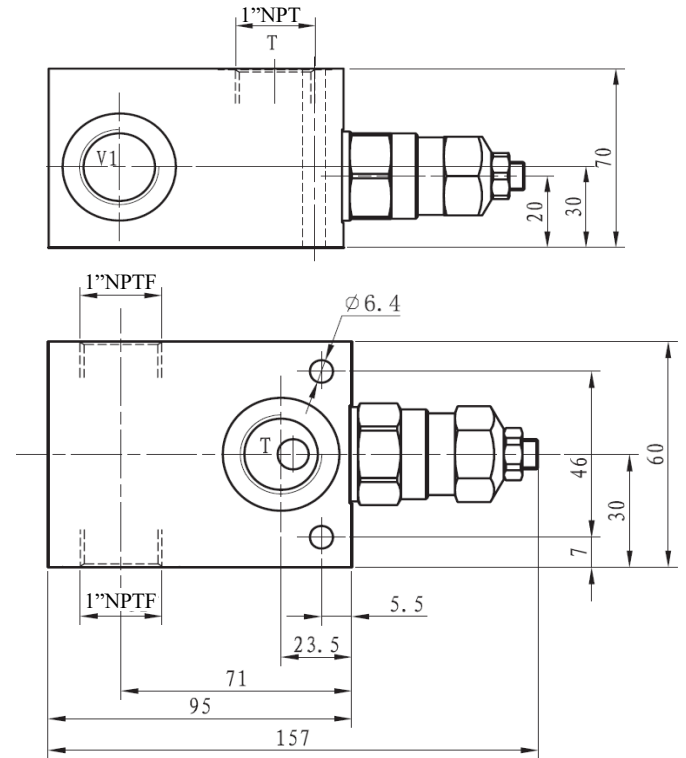
Example Part Number: VIR-N.5-1

#### Dimensions and Technical data

Size 1/4"-3/4"



Size 1"



Dimensions, mm (inch)

Size, V1, T NPTF	Max. Flow lpm (gpm)	Max. Pressure, bar (psi)	Oil Cleanliness	L1	L2	L3	L4	L5	O	P	N	M	I	H	ØD
1/4"	25 (6.6)	315 (4568)	NAS 1638	14 (0.55)	30 (1.18)	46 (1.81)	60 (2.36)	90 (3.54)	6 (0.24)	48 (1.89)	30 (1.18)	60 (2.36)	15 (0.59)	30 (1.18)	6.8 (0.27)
3/8"	50 (13)			18 (0.71)	35 (1.38)	52 (2.05)	70 (2.76)	115 (4.53)	6.25 (0.25)	48 (1.89)	32 (1.26)	60.5 (2.38)	17.75 (0.70)	35.5 (1.40)	6.6 (0.26)
1/2"	80 (21)			18 (0.71)	39.5 (1.56)	58 (2.28)	78 (3.07)	127 (5.00)	6 (0.24)	58 (2.28)	35 (1.38)	70 (2.76)	17.5 (0.69)	35 (1.38)	6.6 (0.26)
3/4"	120 (32)			20 (0.79)	45 (1.77)	70 (2.76)	90 (3.54)	149 (5.87)	8 (0.31)	54 (2.13)	40 (1.57)	70 (2.76)	20 (0.79)	40 (1.57)	8.6 (0.34)
1"	220 (58)			Reference Drawing Above											